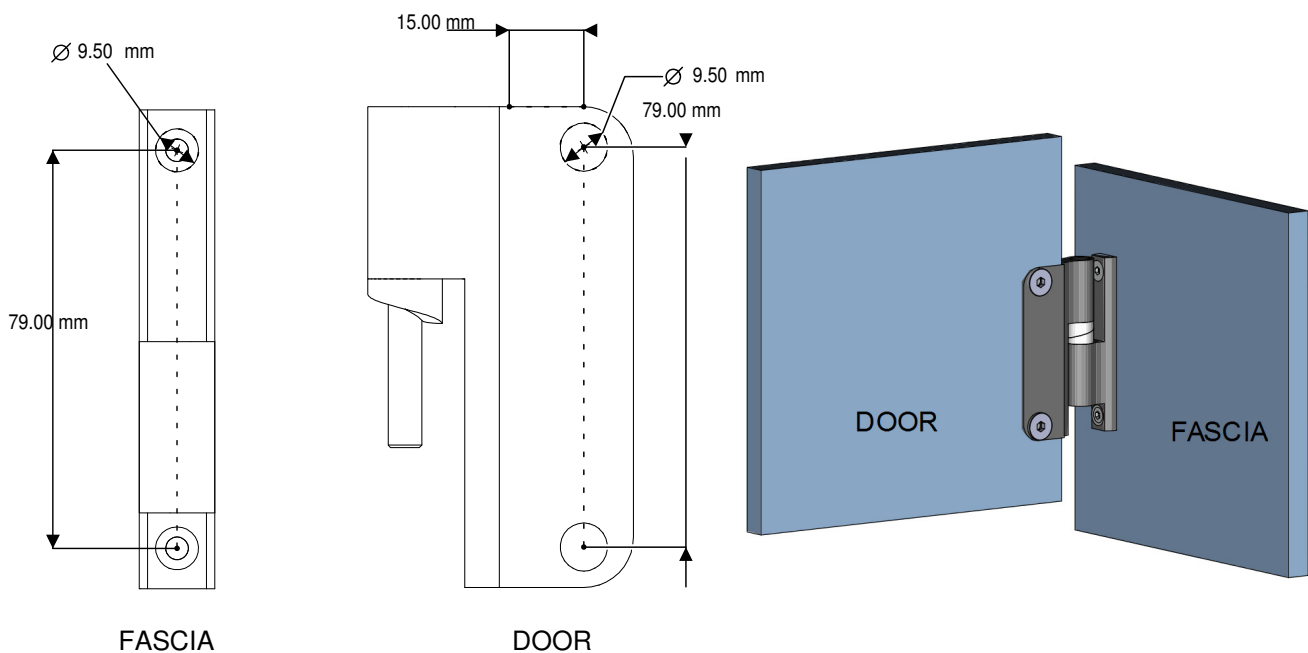


# Product Information Sheet

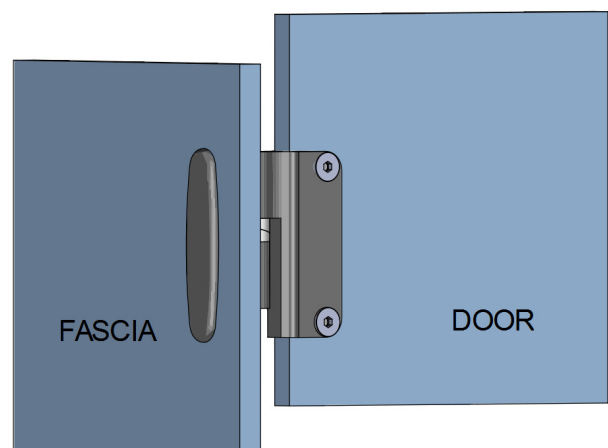
## Hinge Assembly

### CC13/CC18/CC21 HIDDEN HINGE

- The Hidden Hinges are through fixed to the fascia and wrap around the door.
- To ensure trouble free operation of the hinges it is important to be accurate and as vertical as possible to prevent binding of risers.
- When dismantling the hinge remove the M5 x 10 Screw from the hinge pin and pull apart.
- Position the wrap around hinge on the door mark holes and drill through with  $\varnothing 9.50\text{mm}$  drill
- Secure wrap around hinge to door using the M6 T Nuts and M6 Althreads provided.
- Position and secure Fascia hinge.
- When fitting ensure the hinge pin is pointing downward.
- Lift door into place and test for smooth operation. Hinges are supplied in the 'Door Open' Position.
- When satisfied with operation replace M5x10 Machine Screw to hinge pin.



Part No.	Board Size
CC13HIDDEN	12 -13 mm
CC18HIDDEN	18 - 19 mm
CC21HIDDEN	20 - 21 mm



**cobtec**  
cubicle hardware

Unit 15, Dabble Duck Ind. Est.  
Shildon  
Co. Durham  
UK  
DL4 2QN