

Product Information Sheet

Brackets

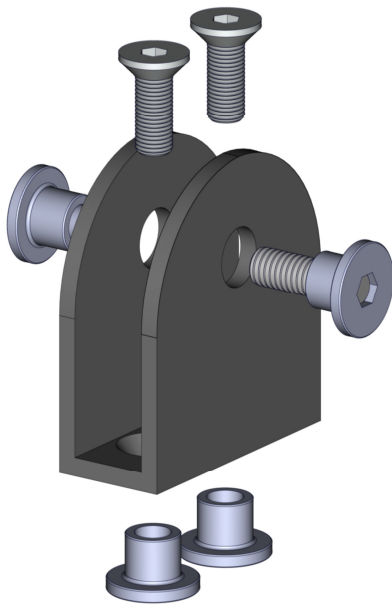
WM 3/8

- WM 3/8 brackets are for bolt through, Drill through fascia $\varnothing 9.5\text{mm}$.
- Secure bracket to fascia with fixings provided
- Offer up partition to bracket.
- Secure partition to brackets using fixings provided.

SGL WM 3/8

Drill through with

$\varnothing 9.5\text{mm}$

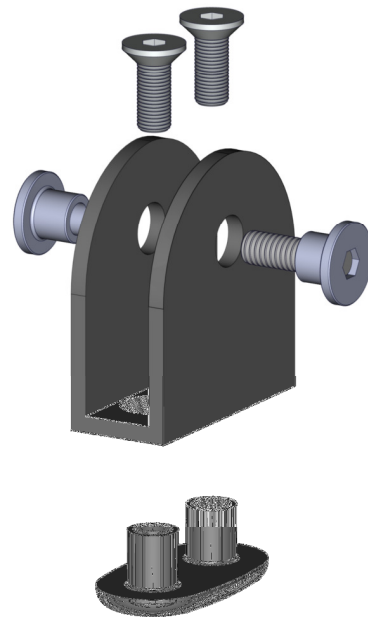


CCSGLWM3/8

Cover Plate

Drill through with

$\varnothing 9.5\text{mm}$



cobtec
cubicle hardware

Unit 15, Dabble Duck Ind. Est.
Shildon
Co. Durham
UK
DL4 2QN

Phone: +44 (0)1388 770580 Fax: +44 (0)1388 778491 E-mail: cobtec@bignall.co.uk

REF: WM 3/8 Iss. 3