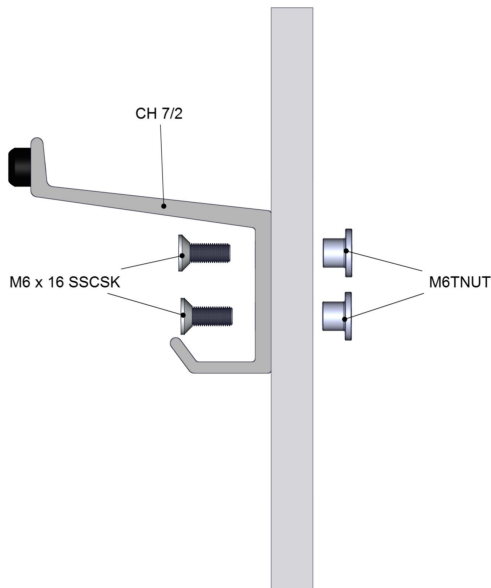


Product Information Sheet

Coat Hook

CH 7/2 COAT HOOK

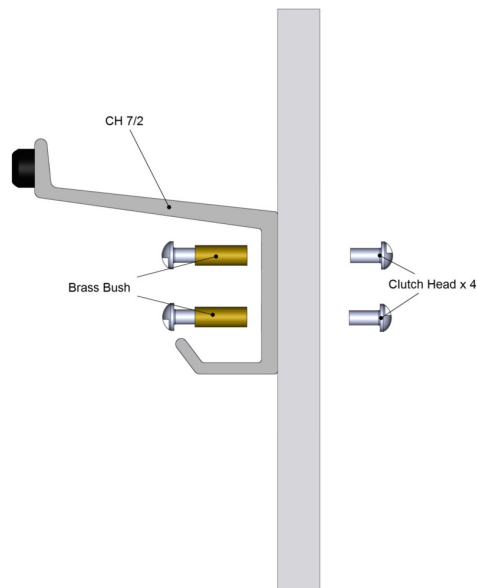
- Position Coat Hook in desired place.
- Secure with supplied fixings.



CH 7/2 BOLT THROUGH

T-Nuts

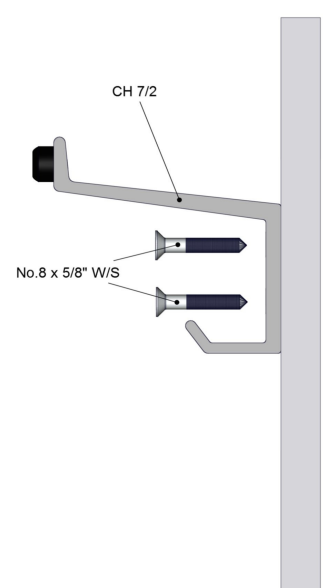
Drill Panel $\varnothing 9.5\text{mm}$



CH 7/2 COMP

Anti-Vandal

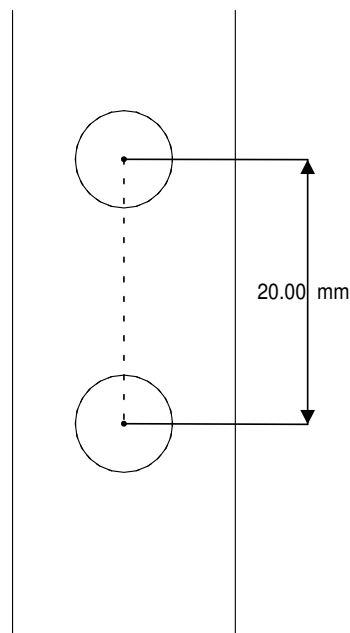
Drill Panel $\varnothing 6.5\text{mm}$



CH 7/2 C/W

Woodscrews

Can be Pre-drilled with pilot



cobtec
cubicle hardware

Unit 15, Dabble Duck Ind. Est.
Shildon
Co. Durham
UK
DL4 2QN