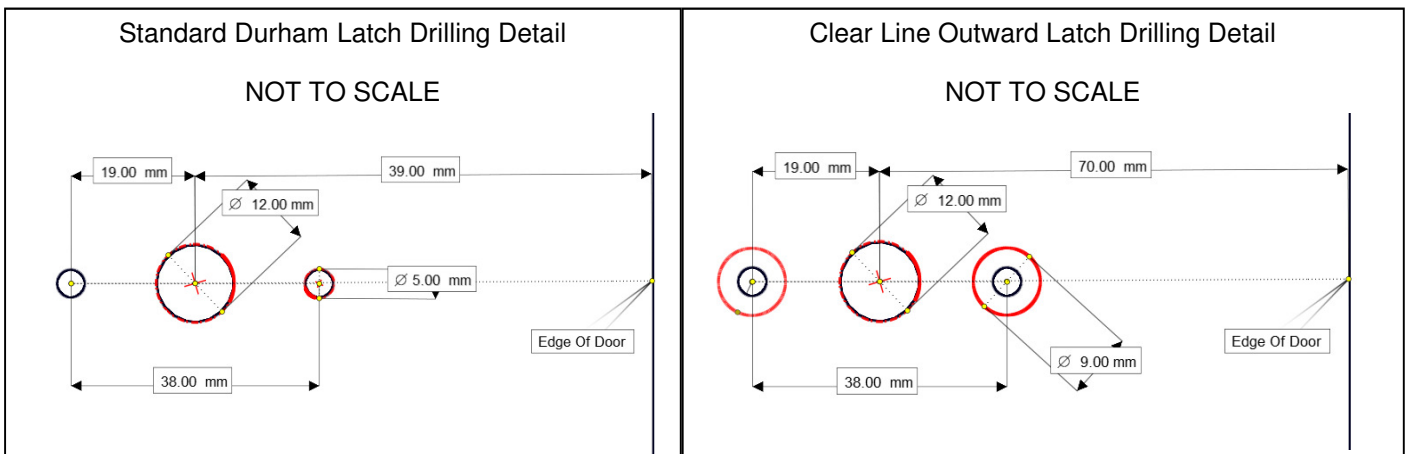
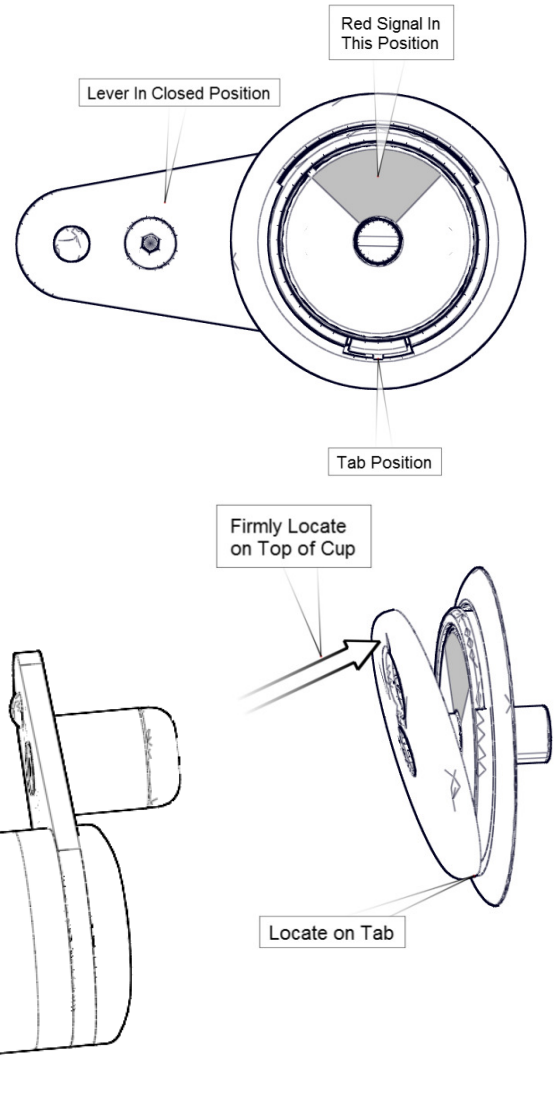


Product Information Sheet

Durham Latch CLDL3

- Using the template provided mark out the hole positions and drill holes.
- Fit Latch Handle (**In Closed Position**) to door and position the Plastic Cup (**Tab downwards**); using fixing screws; tighten down (**Take care not to over-tighten**).
- Fit brass drive. Fit Signal with **RED** section upwards.
- Align the bottom of the Face Plate to the Cup Tab.
- Carefully but firmly locate on top rim of Cup lip.
- Ensure the Face Plate is positively and securely located.
- Check for free movement of latch.
- Ensure the Signal indicates correctly – **WHITE 'OPEN' / RED 'CLOSED'**
- To remove Face Plate depress the Cup Tab using a small screwdriver and remove with care.



The drilling details above are for reference only

Full scale templates are available from your Supplier



Unit 15, Dabble Duck Ind. Est. Shildon Co. Durham UK DL4 2QN

Phone: +44 (0)1388 770580 Fax: +44 (0)1388 778491 E-mail: cobtec@bignall.co.uk