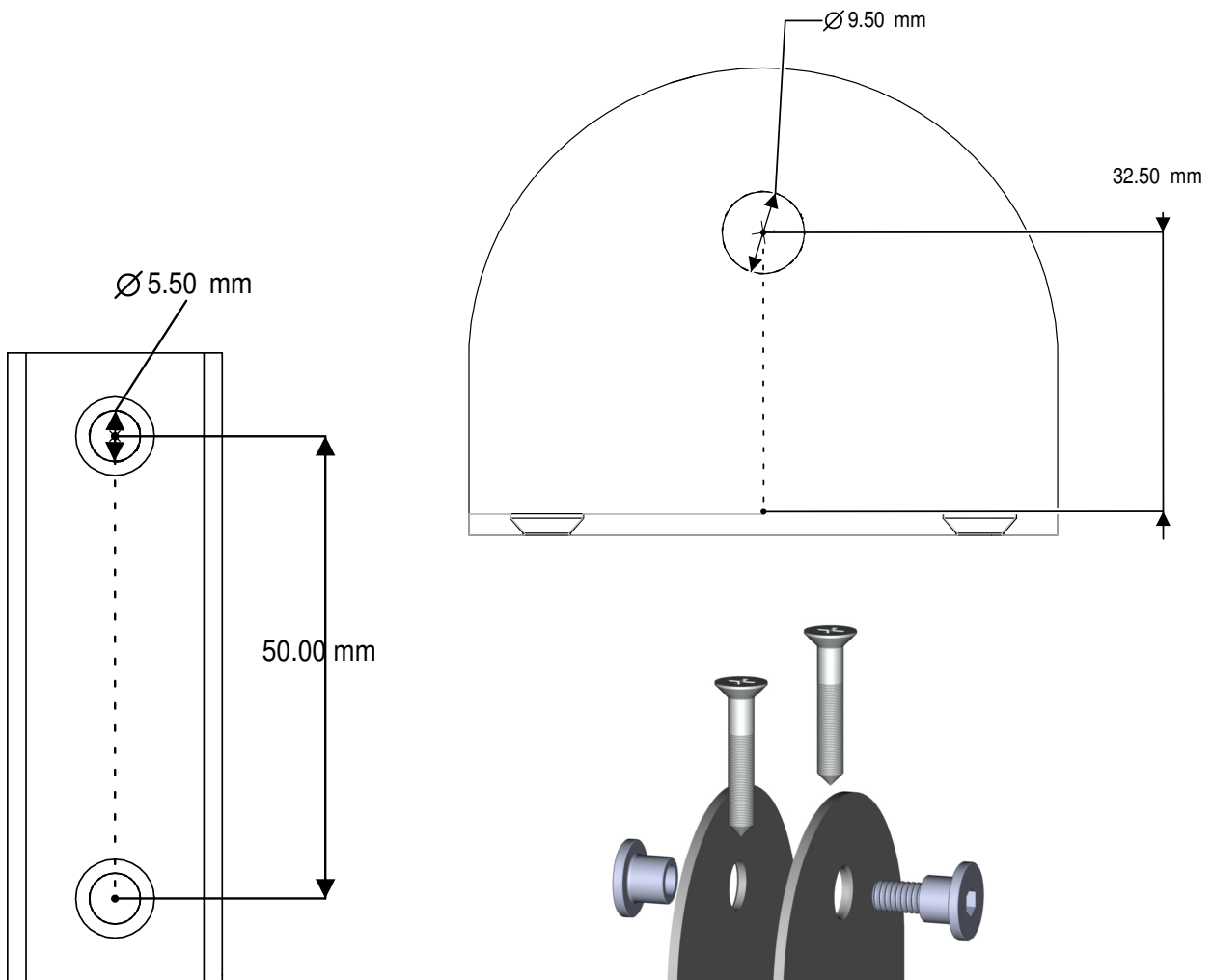


# Product Information Sheet

## Brackets

### WM 3/5 COMP

- To fix brackets to the wall refer to Information sheet ' Guide to fitting Brackets to Wall'
- Offer up partition to bracket.
- Drill through using  $\varnothing 9.5\text{mm}$  drill.
- Secure partition to brackets using fixings provided.



**cobtec**  
cubicle hardware

Unit 15, Dabble Duck Ind. Est.  
Shildon  
Co. Durham  
UK  
DL4 2QN