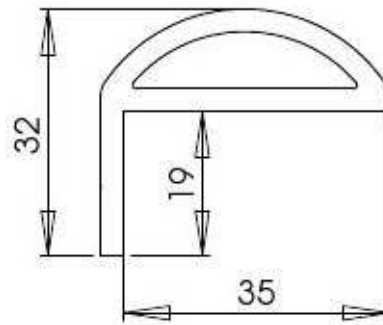
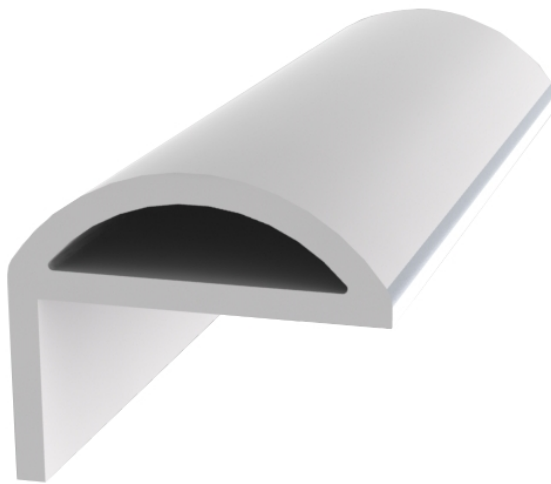




The Bignall Group of Companies

## Product Information Sheet

### P-section Headrail



- Once the fascia's and partition's are erect, then fitting of the headrail can be started.
- If there are necessary joints in the headrail it is preferred if these joints occur in the middle of a fascia and not a door .
- Headrail should be fitted to the top and inside edge of the fascia, once in position it is recommended to first fix it to the end fascia preferably one levelled and fixed to a wall.
- To fix the headrail first drill through the back of the headrail and into the fascia, 14.5 mm from the top of the fascia with a 3.5 mm drill, counterbore the hole using a 4.5 mm drill and secure with a No 8 self tapping screw.
- Once fitted and ensuring it is level you can fix in place by aligning each fascia individually, ensuring each door is parallel on each cubicle and drill and fix as before.

**cobtec**  
cubicle hardware

Unit 15, Dabble Duck Ind. Est.  
Shildon  
Co. Durham  
UK  
DL4 2QN

Phone: +44 (0)1388 775584 Fax: +44 (0)1388 778893 E-mail: [post@bignall.co.uk](mailto:post@bignall.co.uk)

REF: p-rail Iss. 1