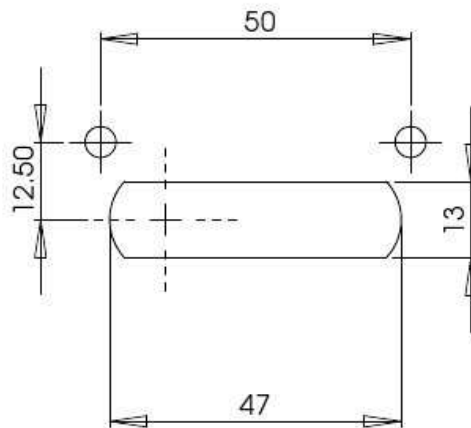


Product Information Sheet

Latch Assembly

Nursery Range

1. Mark out hole centres as shown.
2. Drill holes at 5.00mm and machine slot.
3. Position up the bolt housing and faceplate.
4. Secure using the 2 x M4 bolts and 2 x 1" woodscrews supplied, ensure the bolt mechanism moves freely and operates the signal correctly (Green open/Red closed)
5. Once satisfied, position the keep to the correct position on the fascia and fix in place with the two No8 woodscrews supplied.
6. Fit buffers to the top and bottom of the door



cobtec
cubicle hardware

Unit 15, Dabble Duck Ind. Est.
Shildon
Co. Durham
UK
DL4 2QN

Phone: +44 (0)1388 775584 Fax: +44 (0)1388 778893 E-mail: post@bignall.co.uk

REF: Nursery Iss.